

- NOTES:
1. PERIMETER EROSION CONTROL IS REQUIRED. SOME ACCEPTABLE TYPES ARE SILT FENCE, TOPSOIL BERMS, VEGETATED BUFFER STRIPS, FIBER LOGS, COMPOST BERMS, COMPOST LOGS, SHREDDED WOOD MULCH BERMS, AND ROCK BERMS.
 2. APPROVED INLET PROTECTION SHALL BE INSTALLED AND MAINTAINED AT THE FIRST CATCHBASIN DOWNSTREAM FROM CONSTRUCTION SITE. (SEE CITY STANDARD PLATE EC-04)
 3. FOR CUSTOM GRADED LOTS, EROSION CONTROL MEASURES SHALL BE INSTALLED PRIOR TO ISSUANCE OF THE BUILDING PERMIT.
 4. FOR NON-CUSTOM GRADED LOTS, EROSION CONTROL MEASURES SHALL BE INSTALLED BY NO LATER THAN THE SAME DAY THE HOUSE FOUNDATION IS BACKFILLED.
 5. EROSION CONTROL MEASURES SHALL BE MAINTAINED UNTIL ALL TURF IS ESTABLISHED.
 6. SILT FENCE SHALL BE "J" HOOKED AT DRIVEWAY FOR A MINIMUM OF 4'.
 7. SILT TRACKED ONTO THE STREET SHALL BE SWEEPED THE SAME DAY BY A WATER-BASED SWEEPER.
 8. ACCEPTED TEMPORARY EROSION CONTROL MEASURES FOR SOIL STABILIZATION ARE: MULCH (STRAW, SHREDDED WOOD, OR COMPOST), SPRAYED MULCH, HYDROMULCH, TACKIFIER, AND EROSION CONTROL BLANKET. TEMPORARY OR PERMANENT SEEDING MIXTURES CAN BE APPLIED WITH THE LISTED SOIL STABILIZATION MEASURES.
 9. IF APPLICABLE, THE CONTRACTOR SHALL FOLLOW THE NPDES TIMELINES FOR EROSION CONTROL.
 10. SLOPES 3:1 OR STEEPER SHALL HAVE TEMPORARY EROSION CONTROL MEASURES, SEEDING, OR SOD INSTALLED WITHIN 7 CALENDAR DAYS.
 11. FAILURE TO INSTALL OR MAINTAIN EROSION CONTROL WILL RESULT IN ISSUANCE OF AN "EROSION CONTROL CORRECTION NOTICE". FAILURE TO COMPLY WITH THE CORRECTION NOTICE MAY RESULT IN THE ISSUANCE OF A "STOP WORK ORDER".

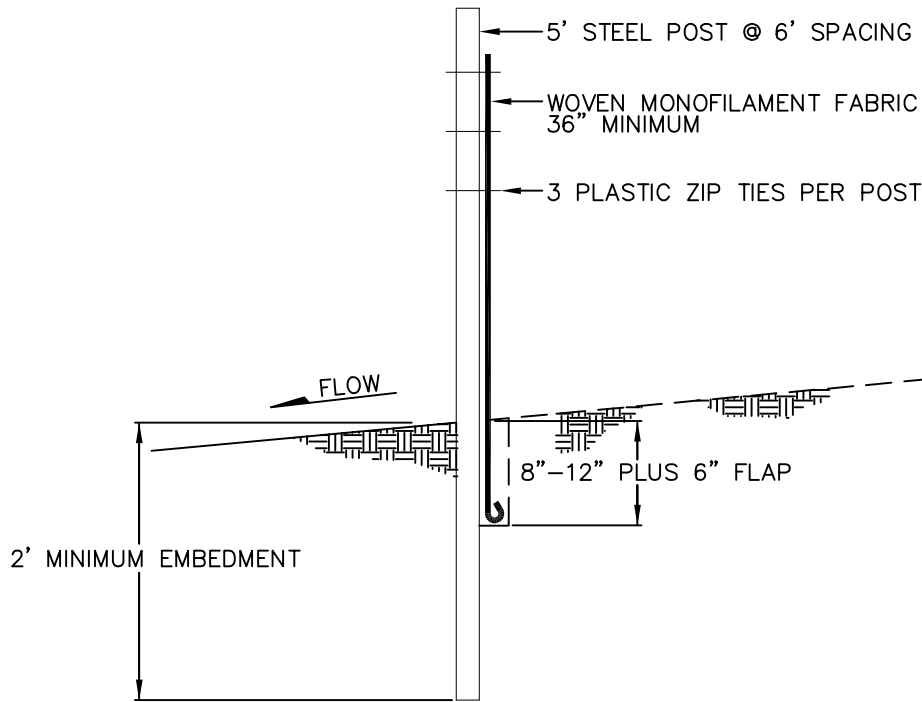


EROSION CONTROL FOR RESIDENTIAL LOTS

CITY OF INVER GROVE HEIGHTS
ENGINEERING DEPARTMENT

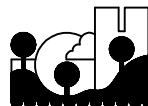
2/15

PLATE NO.
EC-01



MACHINE SLICED SILT FENCE

- NOTES:
1. WOOD POSTS MAY BE USED IN NON-CRITICAL AREAS. WOOD POST SPACING AT 4' MAXIMUM. STEEL POSTS ARE REQUIRED WHEN HEAVY DUTY SILT FENCE IS SPECIFIED.
 2. SILT FENCE MUST BE CLEANED OR REPLACED WHEN SILT DEPTH IS 1/3 HEIGHT OF FABRIC.

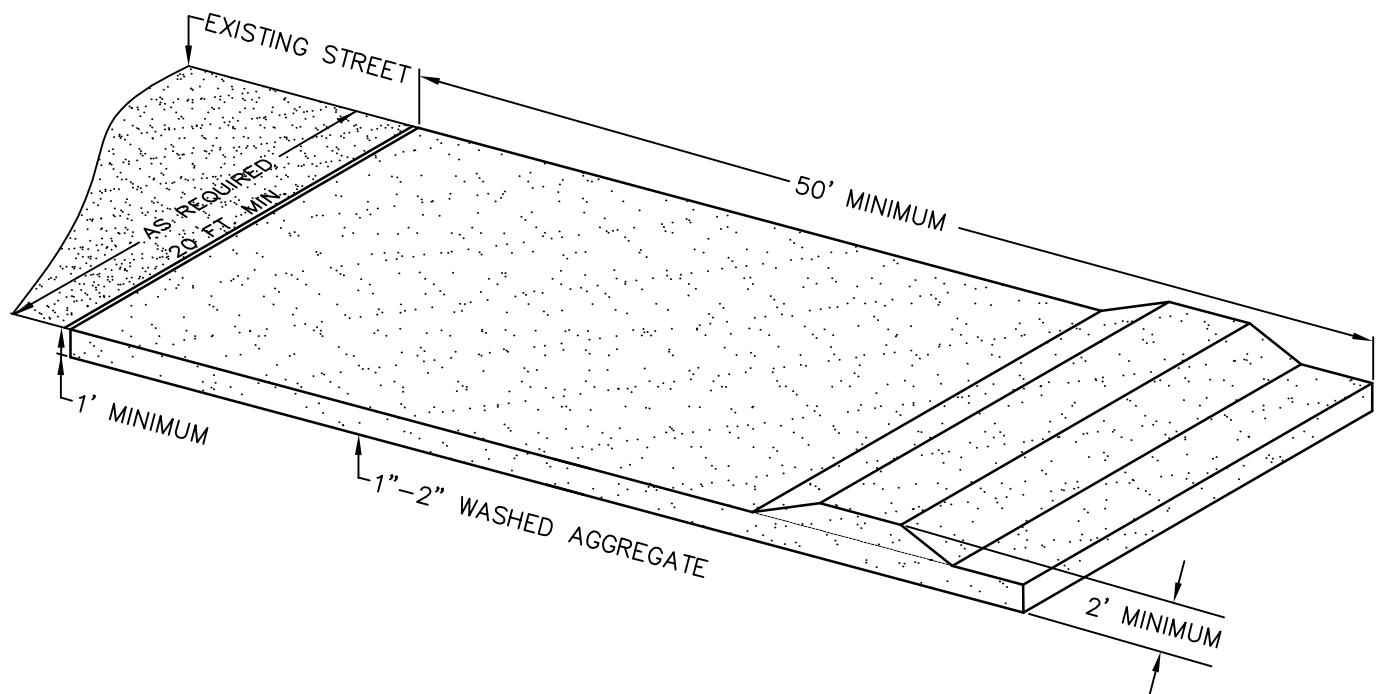


SILT FENCE

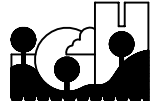
CITY OF INVER GROVE HEIGHTS
ENGINEERING DEPARTMENT

4/11

PLATE NO.
EC-02



- NOTES:
1. ROCK CONSTRUCTION ENTRANCE SHALL BE CONSTRUCTED PRIOR TO CONSTRUCTION ACTIVITY.
 2. FOR RESIDENTIAL CONSTRUCTION, CLASS 5 MAY BE INSTALLED AS A ROCK CONSTRUCTION ENTRANCE
 3. AGGREGATE SHALL BE CLEANED, MAINTAINED, OR REPLENISHED AS NECESSARY.
 4. SILT TRACKED ONTO THE STREET SHALL BE SWEEPED THE SAME DAY BY A WATER BASED SWEEPER.
 5. LENGTH MAY BE MODIFIED AND 1' HIGH RIDGE MAY BE ELIMINATED FOR RESIDENTIAL CONSTRUCTION.



ROCK CONSTRUCTION ENTRANCE

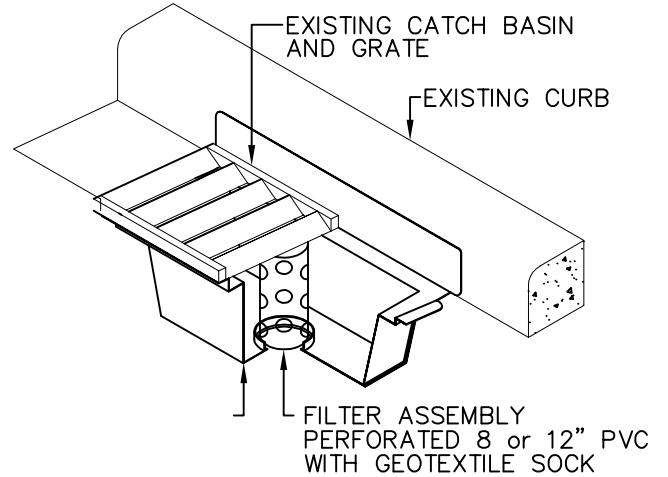
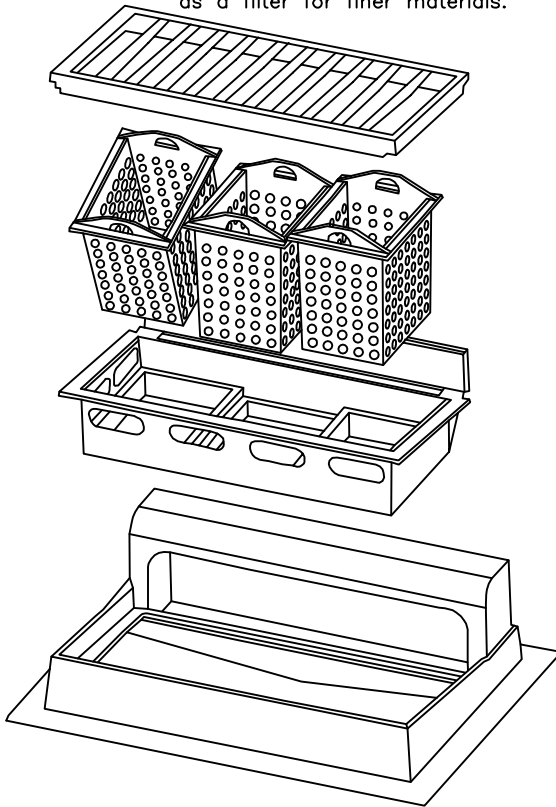
CITY OF INVER GROVE HEIGHTS
ENGINEERING DEPARTMENT

4/11

PLATE NO.
EC-03

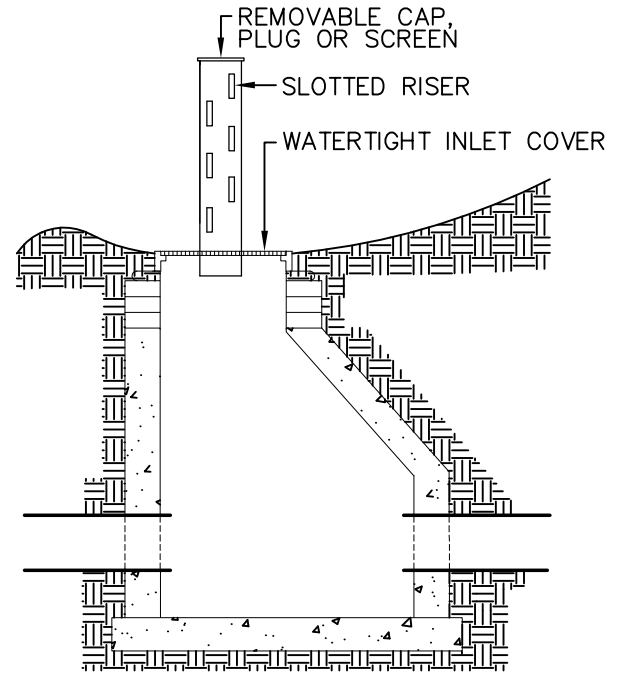
InfraSafe 2'x3' Debris Collection Device

This device requires the use of a mesh sleeve inside each of the baskets to act as a filter for finer materials.



METAL BASKET INSERT ISOMETRIC

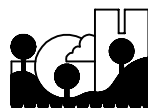
METAL BASKET TYPE



SLOTTED RISER INLET FILTER

NOTES:

1. EACH STORM WATER INLET REQUIRES AN APPROVED INLET PROTECTION DEVICE FROM THE TIME THE CASTING AND RINGS ARE PLACED UNTIL THE SURROUNDING AREAS ARE ESTABLISHED, OR UNTIL DIRECTED BY THE CITY ENGINEER.
2. THESE DEVICES SHALL BE REMOVED WHEN THERE IS FROST IN THE GROUND AND REINSTALLED WHEN THE GROUND THAWS.
3. THE CONTRACTOR IS RESPONSIBLE FOR THE PLACEMENT, MAINTENANCE, AND REMOVAL OF ALL INLET PROTECTION DEVICES.
4. SEALING THE SORM SEWER INLET WITH FABRIC IS NOT AN APPROVED METHOD OF INLET PROTECTION.

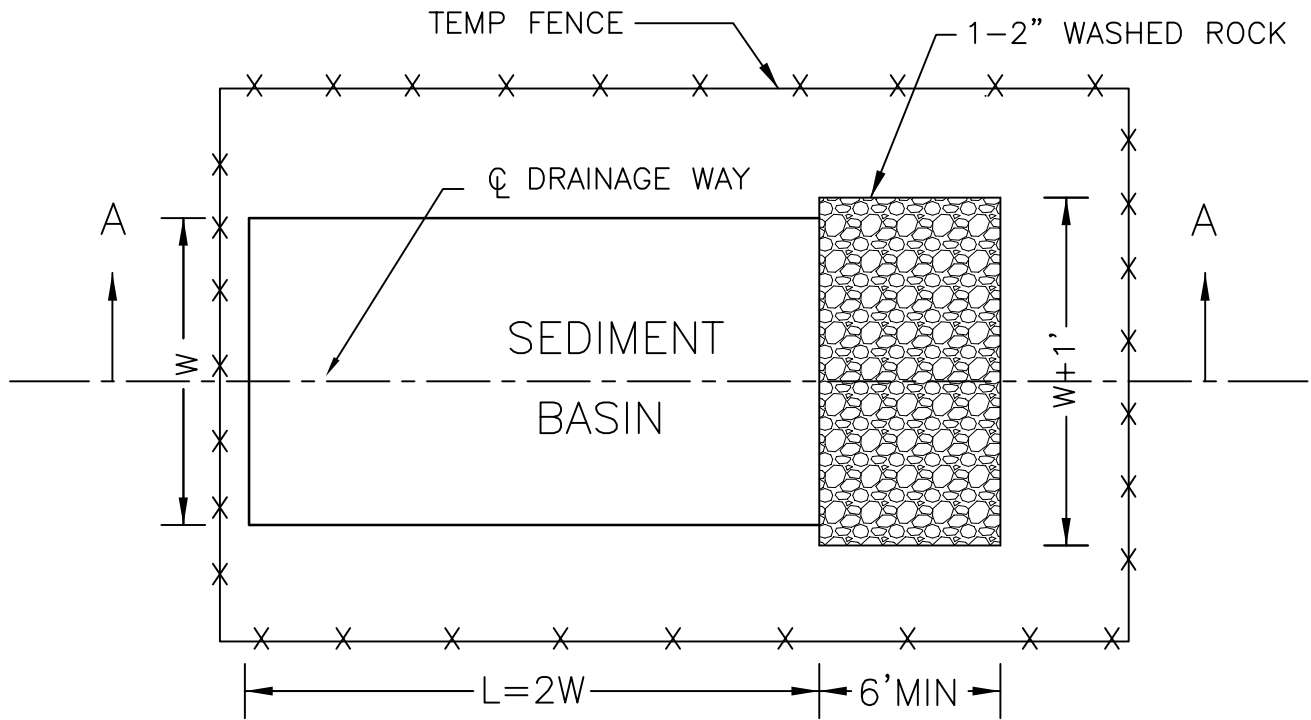


STORM SEWER
INLET PROTECTION

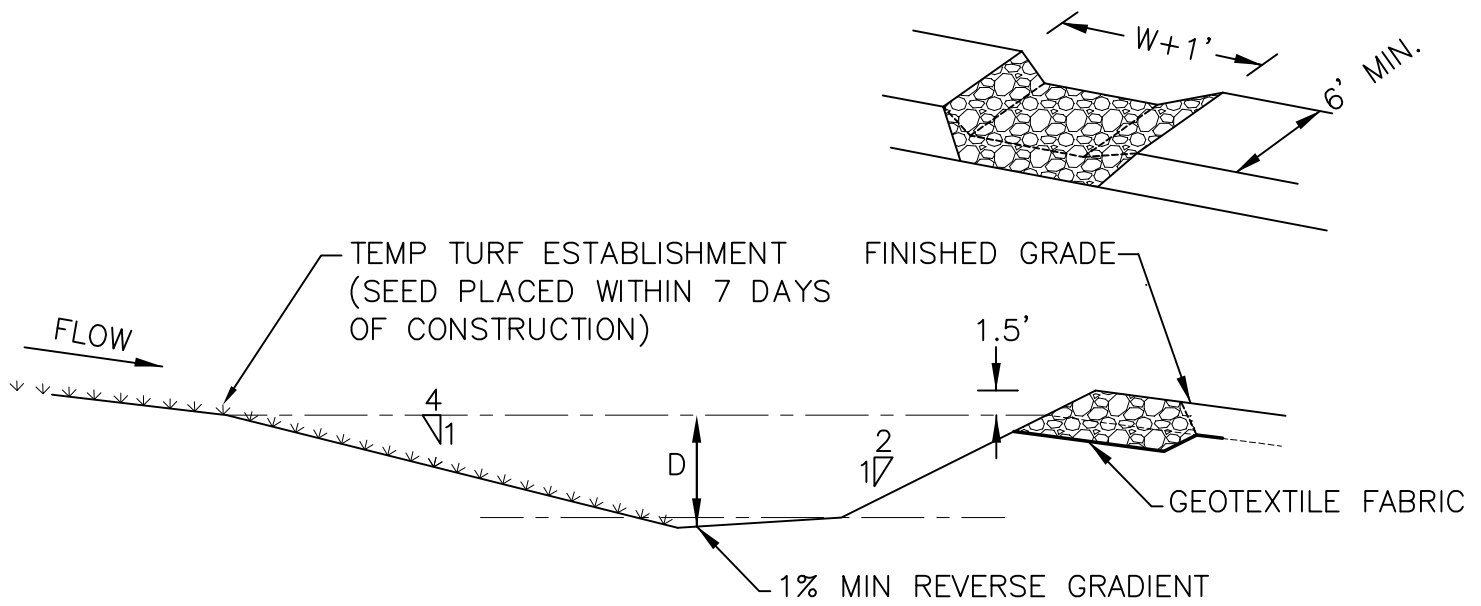
CITY OF INVER GROVE HEIGHTS
ENGINEERING DEPARTMENT

4/11

PLATE NO.
EC-04



PLAN VIEW

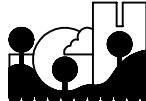


SECTION A-A

NOTE:

D = 3' MIN, 5' MAX

W = 10' MIN, 20' MAX

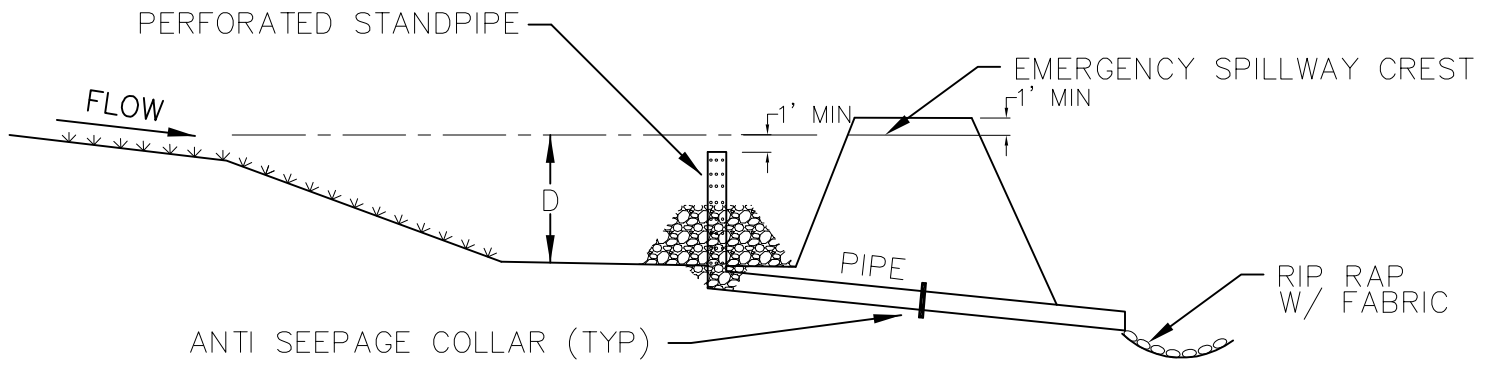


TEMP SED BASIN WITH
OVERFLOW SPILLWAY

CITY OF INVER GROVE HEIGHTS
ENGINEERING DEPARTMENT

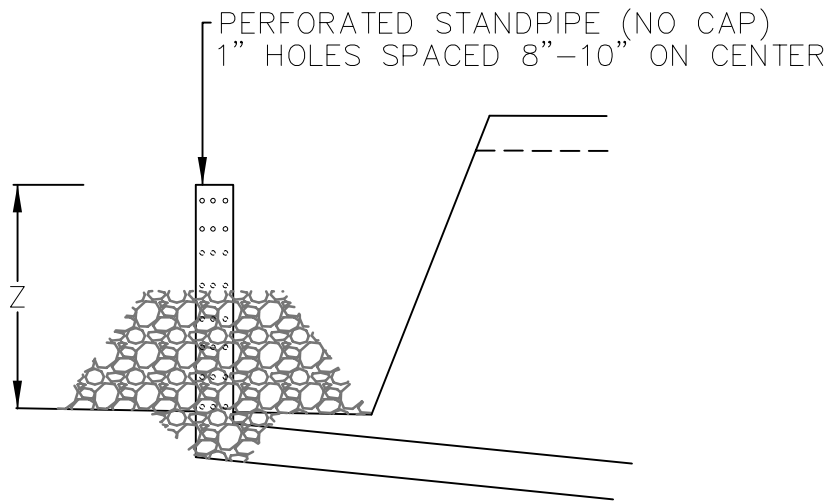
4/11

PLATE NO.
EC-05



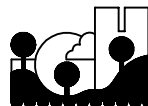
NOTE:
 D=3' MIN, 5' MAX

SECTION VIEW



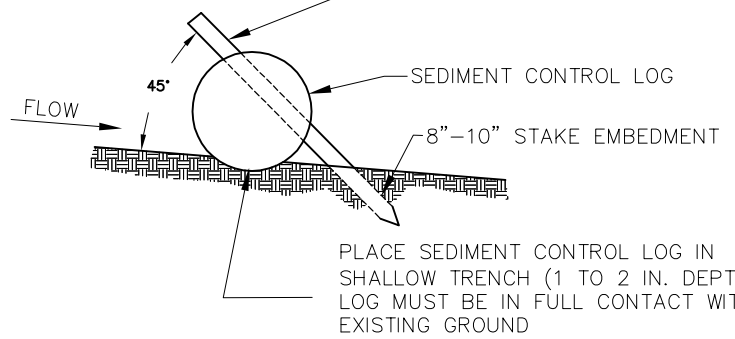
NOTE: ROCK SHALL BE 1 1/2" CLEAR PLACED AT A DEPTH OF 1/3 TO 2/3 HEIGHT OF RISER PIPE (Z)
 PERFORATED STANDPIPE SHALL BE SAME DIAMETER AS OUTLET PIPE

STAND PIPE DETAIL



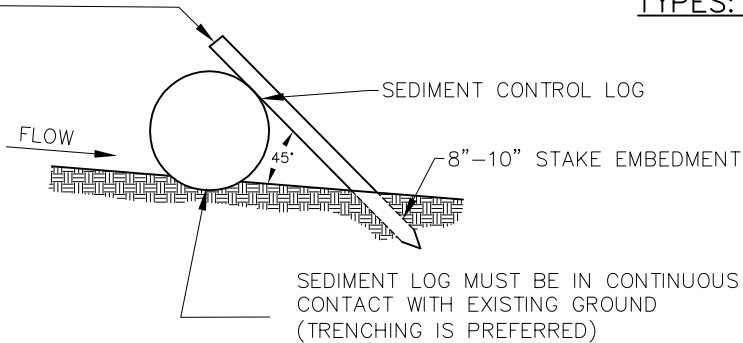
TEMP SED BASIN WITH OUTLET PIPE		
CITY OF INVER GROVE HEIGHTS ENGINEERING DEPARTMENT	4/11	PLATE NO. EC-06

1" X 2" X 24" LONG WOOD STAKES (NO REBAR) AT 1' MAXIMUM SPACING. STAKES SHALL BE DRIVEN THROUGH BACK HALF OF SEDIMENT LOG AT A 45° ANGLE WITH TOP OF STAKE POINTING UPSTREAM. PROVIDE 8" TO 10" OF STAKE EMBEDMENT

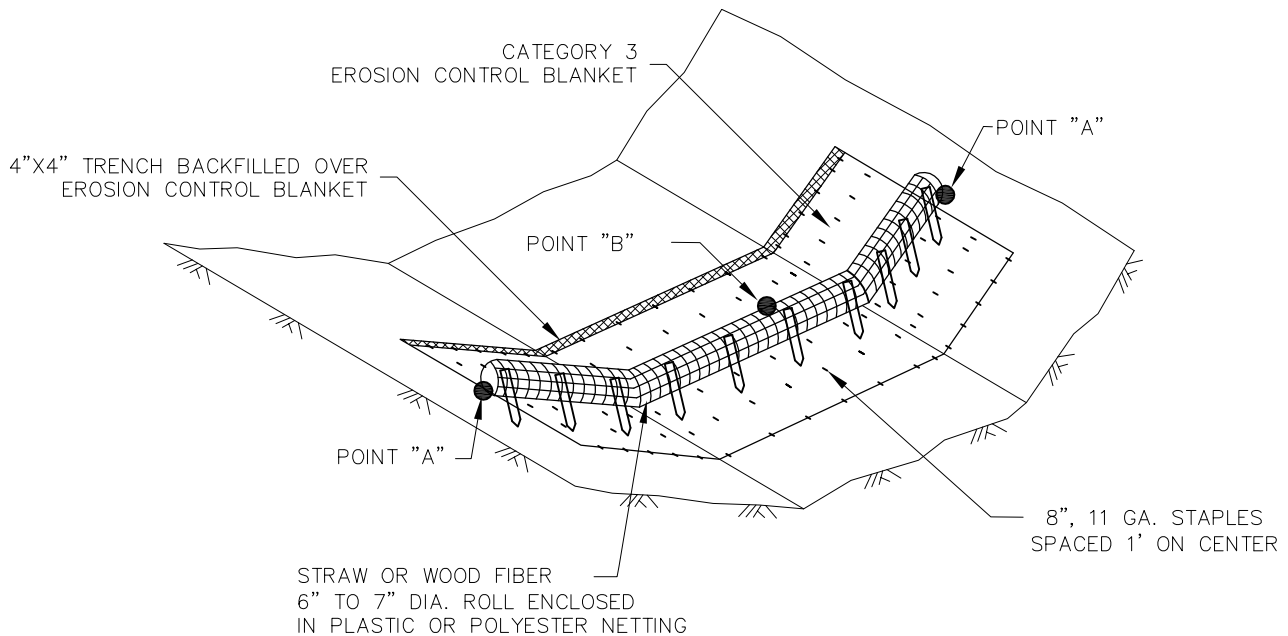


TYPES: STRAW, WOOD FIBER, OR COIR

1" X 2" X 24" LONG WOOD STAKES (NO REBAR) AT 1' MAXIMUM SPACING. STAKES SHALL BE DRIVEN OVER SEDIMENT LOG AT A 45° ANGLE WITH TOP OF STAKE POINTING UPSTREAM. PROVIDE 8" TO 10" OF STAKE EMBEDMENT

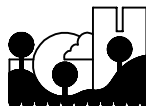


TYPES: WOOD CHIP, COMPOST, OR ROCK



- POINT 'A' SHALL BE A MINIMUM OF 6 INCHES HIGHER THAN POINT 'B' TO ENSURE WATER FLOWS OVER THE BIOROLL AND DOES NOT FLANK THE EDGES AND CAUSE EROSION.
- DITCH CHECK SPACING SHALL BE DETERMINED FROM THE FOLLOWING FORMULA:

$$\text{APPROXIMATE SPACING OF DITCH CHECKS (FT)} = \frac{\text{DITCH CHECK HEIGHT (FT)} \times 100}{\% \text{ CHANNEL SLOPE}}$$

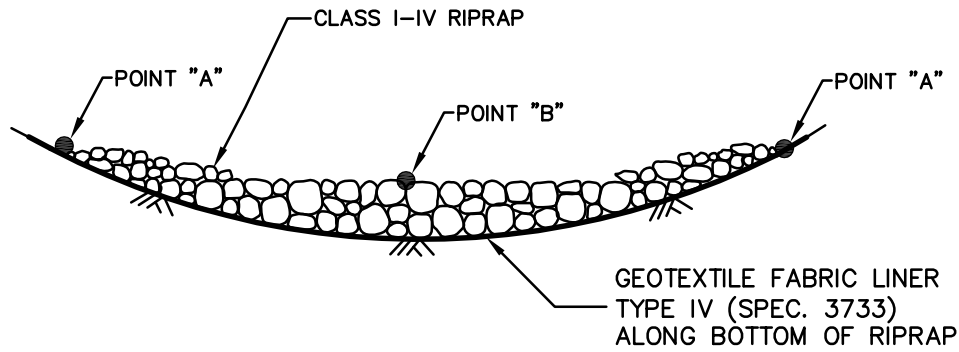


SEDIMENT LOG INSTALLATION

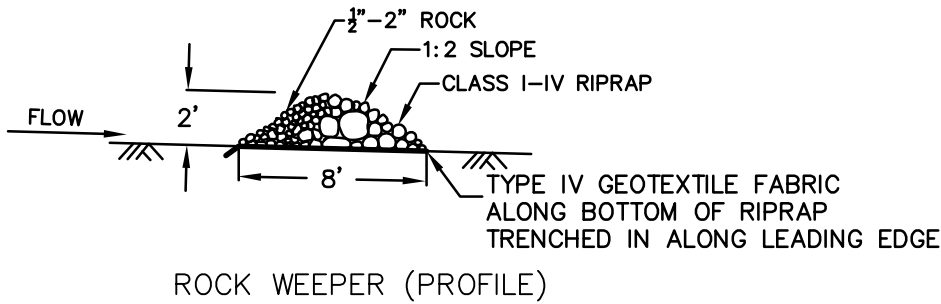
CITY OF INVER GROVE HEIGHTS
ENGINEERING DEPARTMENT

3/15

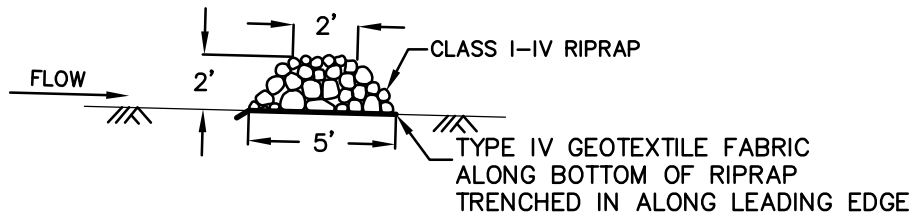
PLATE NO.
EC-07



CROSS SECTION (ROCK WEEPER AND ROCK CHECK)



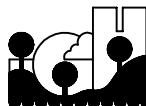
ROCK WEEPER (PROFILE)



ROCK CHECK (PROFILE)

- THE ROCK WEEPER WILL FILTER SEDIMENT BETTER THAN OTHER DITCH CHECKS. THE ROCK WEEPER COULD BE USED AS A PERMANENT WATER FILTERING FEATURE
- POINT 'A' SHALL BE A MINIMUM OF 6 INCHES HIGHER THAN POINT 'B' TO ENSURE WATER FLOWS OVER THE DITCH CHECK AND DOES NOT FLANK THE EDGES AND CAUSE EROSION
- DITCH CHECK SPACING SHALL BE DETERMINED FROM THE FOLLOWING FORMULA:

$$\text{APPROXIMATE SPACING OF DITCH CHECKS (FT)} = \frac{\text{DITCH CHECK HEIGHT (FT)}}{\% \text{ CHANNEL SLOPE}} \times 100$$



ROCK DITCH CHECK