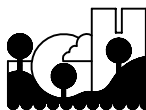


- NOTES: 1. MARKING POSTS SHALL BE INSTALLED AT ALL GATE VALVES, MANHOLES OR CATCH BASINS LOCATED OUTSIDE OF STREET SURFACES.
 2. MARKER POSTS SHALL BE BLUE IN COLOR FOR WATER STRUCTURES AND GREEN IN COLOR FOR STORM AND SANITARY SEWER STRUCTURES.

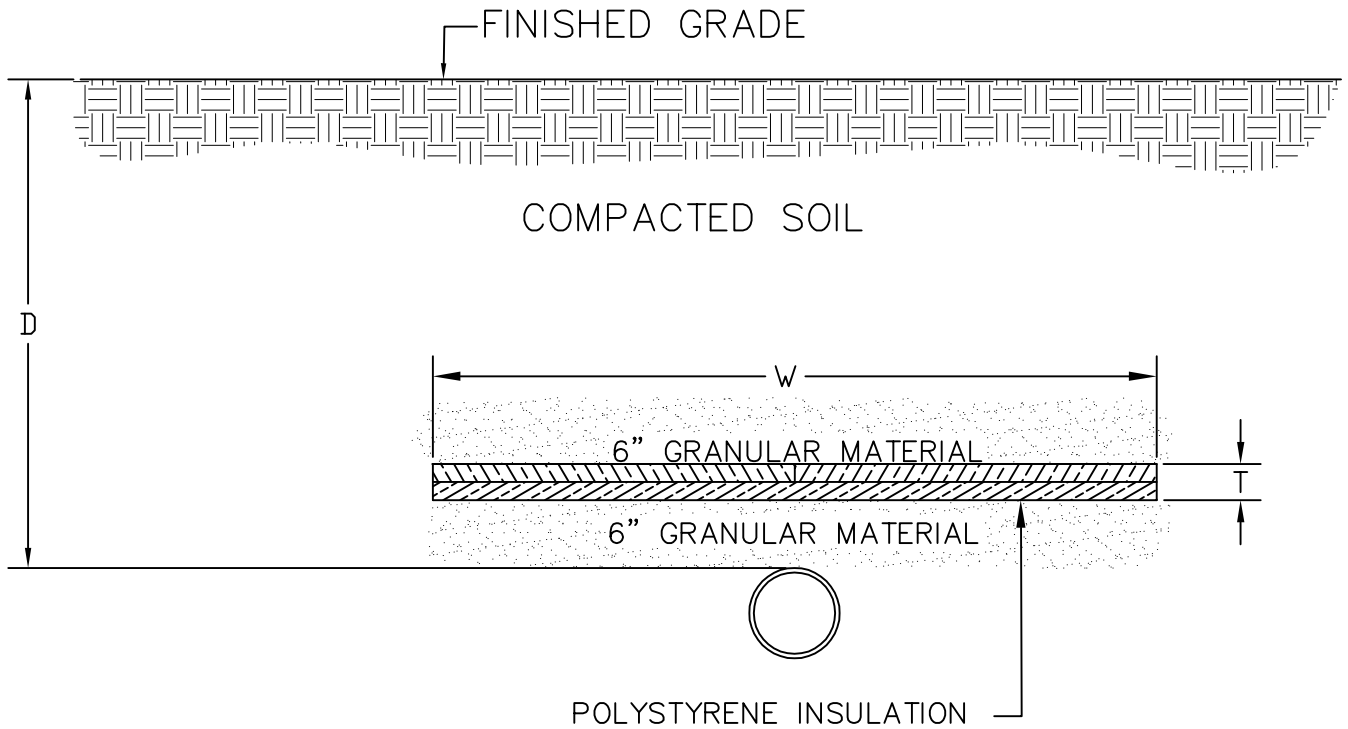


MARKING POST

CITY OF INVER GROVE HEIGHTS
 ENGINEERING DEPARTMENT

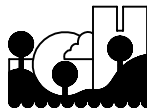
4/11

PLATE NO.
 MISC-01



DEPTH TO TOP OF PIPE D	WIDTH OF INSULATION W	THICKNESS OF INSULATION T
2'-3'	12'	4"
3'-4'	10'	4"
4'-5'	8'	4"
5'-6'	6'	2"
6'-7'	4'	2"
7'+	NONE	NONE

- NOTE: 1. INSULATION SHALL BE EXTRUDED RIGID BOARD MATERIAL HAVING A THERMAL CONDUCTIVITY OF 0.23 BTU/HR/SQUARE FOOT/DEGREE FAHRENHEIT/PER INCH OF THICKNESS MAXIMUM AT 40° F MEAN, A COMPREHENSIVE STRENGTH OF 35 PSI MINIMUM AND WATER ABSORPTION OF .25 PERCENT BY VOLUME MAXIMUM.
2. UTILITIES WITH SEPERATION UNDER 30" REQUIRE 4" INSULATION, 8' WIDE



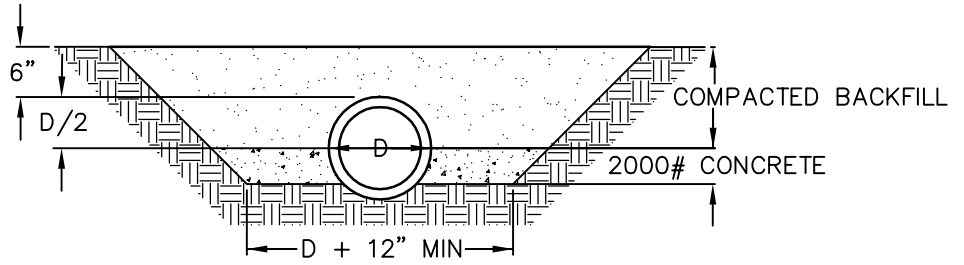
INSULATION DETAIL

CITY OF INVER GROVE HEIGHTS
ENGINEERING DEPARTMENT

4/11

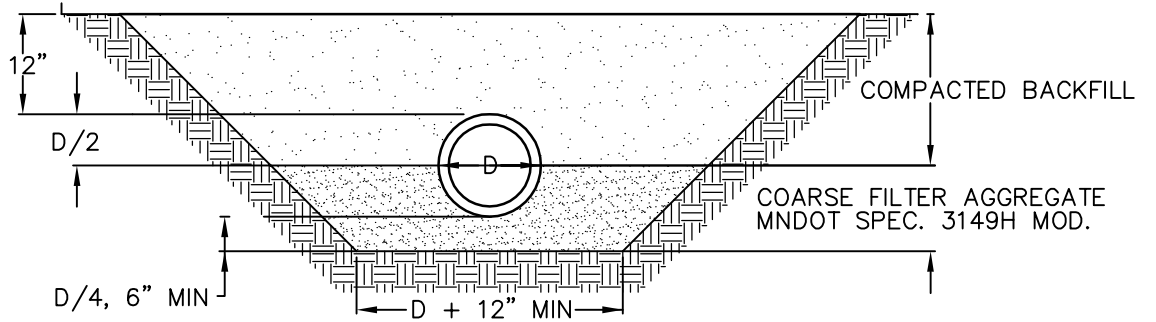
PLATE NO.
MISC-02

CLASS A
LOAD FACTOR 2.3



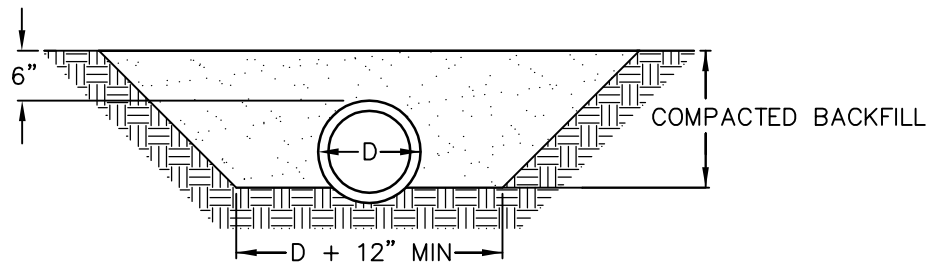
CLASS B
LOAD FACTOR 1.9

HAND SHAPED FROM ANGULAR BEDDING MATERIAL



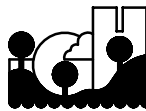
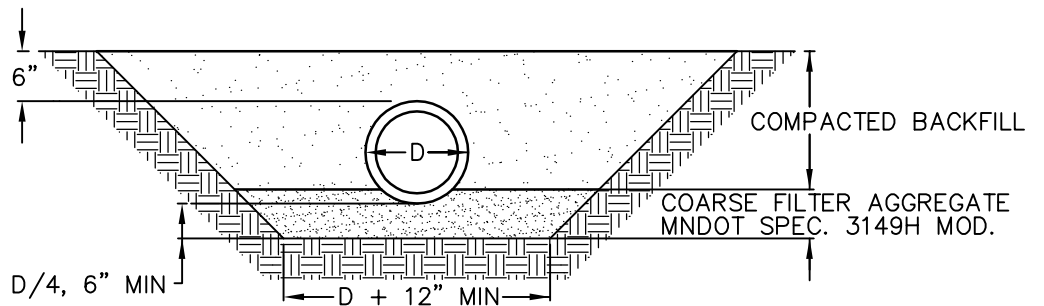
CLASS C-1
LOAD FACTOR 1.5

HAND SHAPED FROM ANGULAR BEDDING MATERIAL



CLASS C-2
LOAD FACTOR 1.5

HAND SHAPED FROM ANGULAR BEDDING MATERIAL



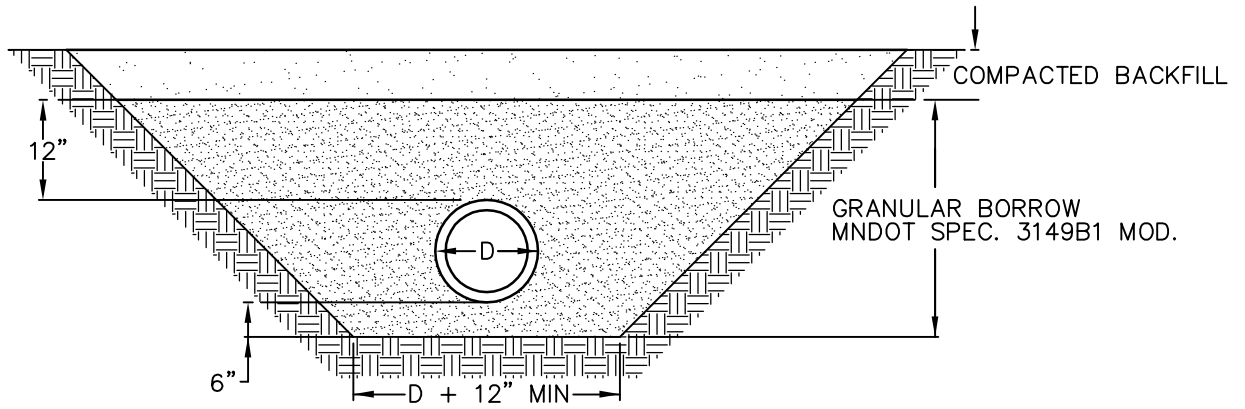
**BEDDING METHODS
RCP AND DIP**

**CITY OF INVER GROVE HEIGHTS
ENGINEERING DEPARTMENT**

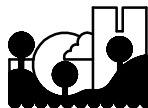
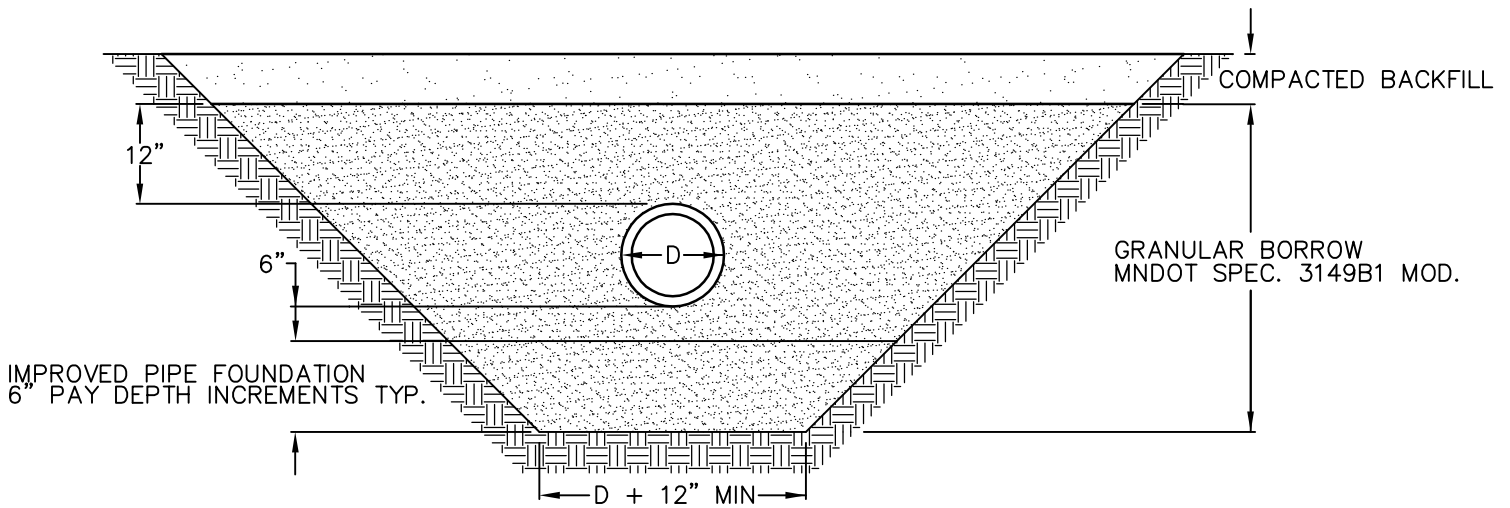
4/11

**PLATE NO.
MISC-03**

PIPE FOUNDATION AND BEDDING IN GOOD SOILS



PIPE FOUNDATION AND BEDDING IN POOR SOILS



BEDDING METHODS PVC

CITY OF INVER GROVE HEIGHTS
ENGINEERING DEPARTMENT

4/11

PLATE NO.
MISC-04